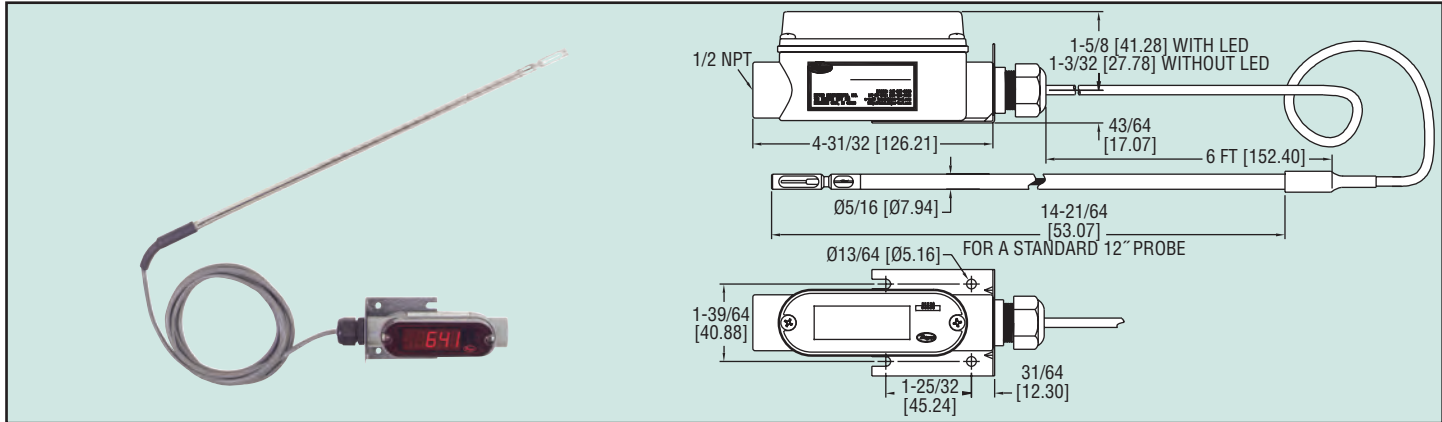




Series
641RM

Air Velocity Transmitter with Cable

For Remotely Mounting Electronic Enclosure



The **Series 641RM** is the ideal instrument for monitoring air flow. This transmitter uses a heated mass flow sensor, which allows for precise velocity measurements at various flow rates and temperatures. The 641RM's 16 field-selectable ranges from 0-250 to 15,000 FPM (0-1.25 to 75 MPS) provide it the versatility to be selected for a multitude of applications. The unit's 6' cable which connects the sensing probe with the electronic enclosure allows the enclosure to be mounted where it can be more easily accessed. Longer cable lengths are available for ducts that are at very high elevations from the plant floor. The optional LED produces a complete, compact solution for local indication of air flow.

Model 641RM-12, Air Velocity Transmitter with 6' cable
Model 641RM-12-LED, same as above with LED display

ACCESSORIES

A-156, Universal Mounting Plate, 1/2" female NPT
A-158, Split Flange Mounting Kit
A-159, Duct Mounting Gland
641-LED, Field-upgradeable LED

OPTION

For NIST traceable calibration certificate, add suffix -NIST to model numbers.
Example: 641RM-12-NIST.

SPECIFICATIONS

Service: Clean air and compatible, non-combustible gases.
Accuracy: 3% FS process gas: 32 to 122°F (0 to 50°C); 4% FS process gas: -40 to 32°F & 122 to 212°F (-40 to 0°C & 50 to 100°C).
Response Time: Flow: 1.5 seconds to 95% of final value (output filter set to minimum).
Temperature Limits: Process: -40 to 212°F (-40 to 100°C); Ambient: 32 to 140°F (0 to 60°C).
Pressure Limit: 100 psi (6.89 bar) maximum.
Humidity Limit: Non-condensing.
Power Requirements: 12 to 35 VDC, 10 to 16 VAC. 1.5A rating required on supply due to initial power surge drawn by transmitter.
Output Signal: 4 to 20 mA, isolated 24V source, 3 or 4-wire connection.

Output Filter: Selectable 0.5–15 (seconds).
Loop Resistance: 600 Ω max.
Current Consumption: 300 mA max.
Electrical Connections: Screw terminal.
Mounting Orientation: Unit not position sensitive. Probe must be aligned with airflow.
Weight: 13.2 oz (374.26 g).
Cable Length: 6 ft (1.82 m).
Probe Length: 12" (30.48 cm) standard.
Probe Diameter: 5/16" (0.79 cm).

OPTIONAL DISPLAY VERSION:
Display: 4-1/2 digit 1/2" red LED.
Resolution: 1 FPM, 0.01 MPS (10 FPM @ 10,000 and 15,000 FPM ranges).
Weight: 13.9 oz (394.16 g).